



Boulevard International Boulevard Steel Industry

Complete Engineering Solutions...

Engineering Excellence



- ✓ Fabrication, Machining & Turning
- ✓ Anchor Bolts, U-Bolts & Clamps
- ✓ Handrails, Bollards & Barricades
- ✓ Industrial Fasteners, Tools & Accessories



Company Profile

Introduction

Boulevard International is established in 2013 as General Trading Company and after few years we established a group company named **Boulevard Steel Industry LLC** a complete fabrication workshop since then has gained a reputation in Engineering and Fabrication Industries arena. Boulevard International is one of the leading suppliers of various kind of industrial products and fabricated items in United Arab Emirates and across GCC market, dealing with top leading brands around the globe. Boulevard International determined to succeed and draw inspiration from challenges, and genuinely client focused and dedicated in terms of delivering the best quality products & services to our clients.

Our aim is to satisfy our clients with high quality of work to give us confidence to develop ourselves for better performance

Mission

- BI is dedicated to building long-term relationship with our clients through our various services to provide consistent, trustworthy and cost-effective solutions for meeting client needs and service satisfaction.
- We are committed to train our personnel, along with continuously upgrading and modernizing our business module to exceed our clients' expectations.

Vision

- Expanding our Foothold, Expertise and Capabilities across the GCC countries by achieving our client's trust.
- Becoming "the" market leader in terms of delivering quality products and excellent services to our clients.
- Providing a first class service to all our clients.
- Being responsive and proactive to industry changes.





Core Business

Boulevard International focuses on all Kind of Industrial Services in the field of Steel Projects, Steel Decoration & Steel Finishing. All activities are undertaken on a Design, Fabrication and Installation basis. The areas are mentioned below:

- Structural Steel Works
- Stainless Steel Sheet Metal & Fabrications
- Pipes & Tube Bending Works
- Pipe Clamps with Shoes & Other Supports
- Sheet Metal Forming & Ducting Works
- Aluminum & Glass Windows, Doors, Gates and Hand Rails
- Interior works for Office & Residence
- Bollards and Hand Rails
- Cat Ladders & Stair Case
- Storage Racking System
- Industrial Work Benches
- Steel Cabinets & Lockers
- Signage with Supports & Installation
- Laser Cutting, CNC Water Jet Cutting Works
- Galvanizing & Electroplating works
- Industrial Blasting & Painting Works

Supplies wide Range of Fasteners products like:

Hexagonal Bolts, Counter Sunk Bolts, Socket Head Bolts to customized type Anchor Bolts, U-Bolts & Stud Bolts in various grades like Carbon Steel, Stainless Steel, Duplex, Super Duplex, Inconel, Brass materials.

Supplies Dowel Bars with Sleeves, End Caps, Dowel Baskets as per project requirement

Supplies various types of Bollards and Hand Rails:

Fabricate & Supply Bollards and Hand Rails as per customer requirement and design in Mild Steel and Stainless Steel Grades like 304, 304L, 316 & 316L. Supplied in finish like Galvanized, Painted, Powder Coated for mild Steel material and with Brush, mirror finish for Stainless Steel grade materials.

All kind of Fabrication works:

Our team offers a complete package of design, detailed drafting, fabrication, surface preparation, and painting or galvanizing services for:

- Various grades of light and heavy structural steel





Boulevard International

Complete Engineering Solutions...

- Aluminum or stainless steel structures
- Platforms, ladders, stairs, and walkways
- Support structures for vessels, tanks, silos, and more
- Process skids complete with grating, handrails, safety gates, and more
- Cat Ladders, Spiral Ladder & Staircase
- Access Doors
- Cable handling equipment
- Shop repair/test equipment

Suppliers of all kind of Wood products:

- Work Benches
- Marine Plywood, Soft & Hardwood Ply
- Lumber core Plywood
- Overlaid Plywood
- Custom Sized Wood Planks etc.

Blasting & Painting Works:

We undertake all kind of Industrial Painting & Blasting works as per Industrial need. Our technical expertise can guide you quickly identify what types of paints and coatings will work best with the type of industrial environment you work.

We are adept at handling a wide assortment of high-quality Hempel, International (Akzonobel), Jotun etc Industrial-grade paints and materials. We will make certain we pick the ones that will provide your equipment and structures with the maximum in lifespan and cost effectiveness.

Boulevard International provides complete Engineering sales services to Offshore and Onshore Oil & Gas Sector Companies & EPC Contractors, Infrastructure, Transportation & Health Care Industries.

In short, we can say: Boulevard International deliver any kind of product with supply and trading of above listed products across GCC. After Sales there will be a service which is also an essential extension to the above mentioned activities.

Boulevard International | Boulevard Steel Industry

Tel.: +971 6 520 6881 | P.O. Box: 14867, Ajman-UAE

Email: sales@boulevarduae.com | www.boulevarduae.com



Core Values

Our ultimate goal is sustainable growth of the company. We are dedicated to create unique value for all stakeholders including customers, suppliers, partners, employees, owners as well as the surrounding society.



To be more specific, the spirit of Boulevard is saturated with the following values:

We Value Our Customers: Our customers are key assets in many different ways; we believe each customer is special. We listen closely to their needs and we combine our energy, knowledge and talents daily to deliver products and services that exceed our customers' expectations.

We Value Our Team Members: We believe in the boundless potential of people empowered, engaged and focused in common vision.



We Value Integrity: We believe that honesty and candor are the foundation for integrity and trust. We build mutually beneficial relationships with our customers, team members, and suppliers.

We Value Continuous Learning: We believe that knowledge empowers, and learning leads to growth of individual and organizations.

We Value Results: We design, market, manufacture and deliver to meet the expectations of our customers.

Quality Commitment:

Boulevard is committed to deliver the best quality which forms the basis for a long-term relationship with our customers. That is what makes us proud and what makes work exciting.



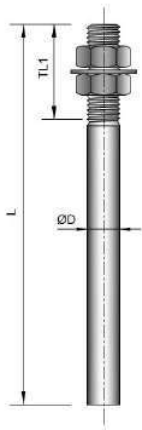
PIPE CLAMPS, SUPPORTS & U-BOLTS



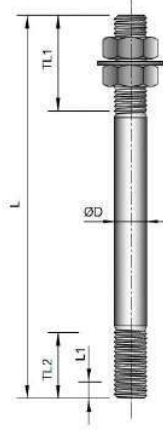
CAT LADDER & SAFETY CAGE



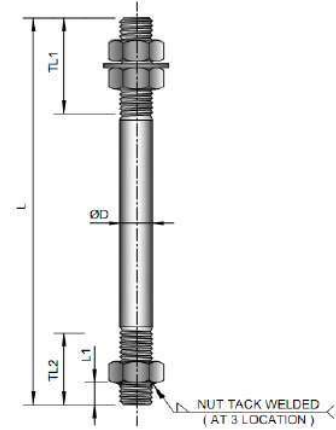
ANCHOR BOLTS ASSEMBLY



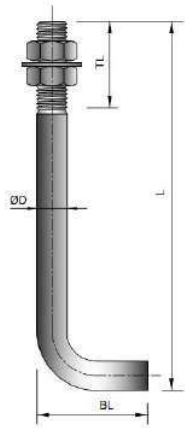
**ST. ANCHOR BOLT ASSEMBLY
ONE END THREADED**



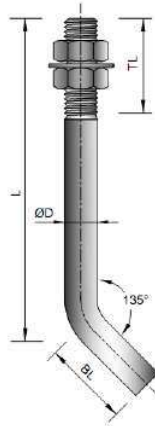
**ST. ANCHOR BOLT ASSEMBLY
BOTH END THREADED**



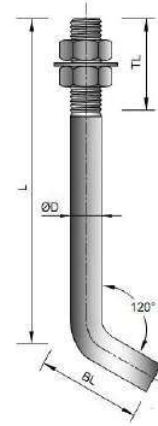
**NUT WELDED ANCHOR
BOLT ASSEMBLY**



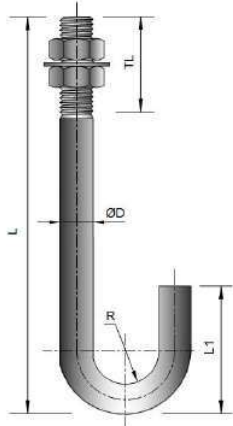
**L-TYPE (90° BEND)
ANCHOR BOLT ASSEMBLY**



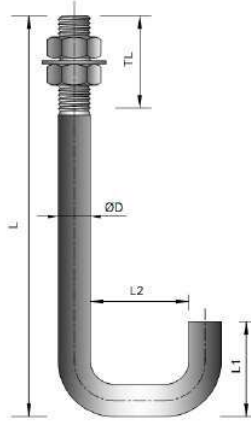
**L-TYPE (135° BEND)
ANCHOR BOLT ASSEMBLY**



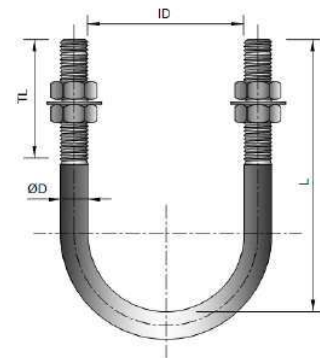
**L-TYPE (120° BEND)
ANCHOR BOLT ASSEMBLY**



**J-TYPE
ANCHOR BOLT ASSEMBLY**

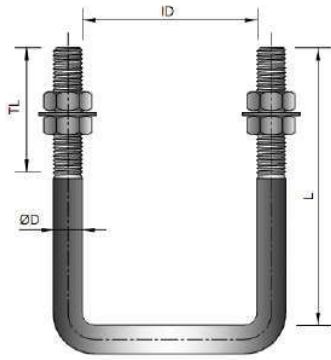


**SQ. U-TYPE (BEND)
ANCHOR BOLT ASSEMBLY**

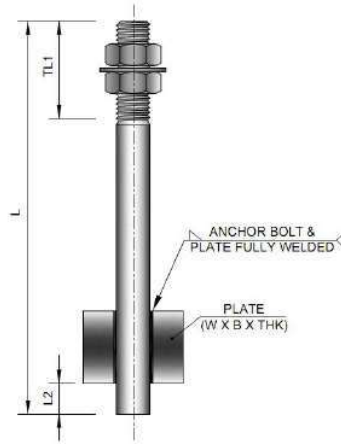


U-BOLT ASSEMBLY

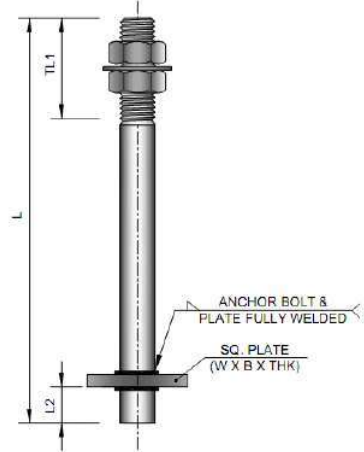
ANCHOR BOLTS ASSEMBLY



**SQURE U-BOLT
ANCHOR BOLT ASSEMBLY**



**BOTH SIDE PLATE WELDED
ANCHOR BOLT ASSEMBLY**

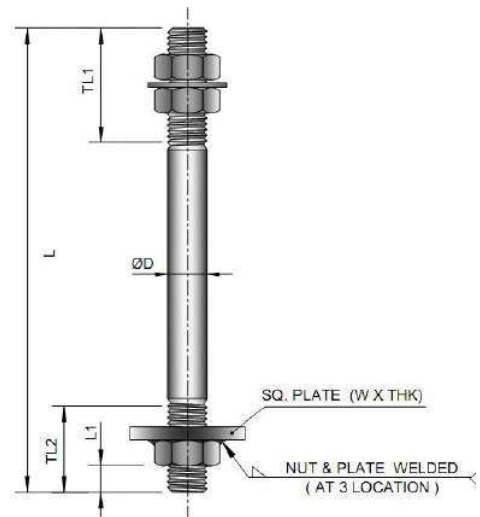


**PLATE WELDED ANCHOR
BOLT ASSEMBLY**

For Anchor Bolts Dimensions as Marked in the above Schematic Drawing to be provided along with RFQ unless agreed.

The ASTM F1554 Specification was introduced in 1994 and covers Anchor Bolts Designed to Anchor Structural Supports to Concrete Foundations. F1554 Anchor Bolts can take the Form of either Headed Bolts, Straight Rods, Or Bent Anchor Bolts. The three Grades 36, 55 & 105 designate the minimum Yield Strength (Ksi) of the Anchor Bolt. The Bolts can be either Cut or Roll Threaded and a weldable Grade 55 can be substituted for Grade 36 at the Supplier's Option. Color Coding on the end – 36 Blue, 55 Yellow & 105 Red – helps facilitate easy identification in the field which is an optional agreement between buyer & supplier as agreed.

F1554 Grade 36	Low Carbon, 36 ksi (250 MPa) Yield Strength Anchor Bolts
F1554 Grade 55	High Strength, Low Alloy, 55 ksi (380 MPa) Yield Strength Anchor Bolts
F1554 Grade 105	Alloy, Heat treated, High Strength 105 (725 MPa) Yield strength Anchor Bolts



**NUT & PLATE WELDED ANCHOR
BOLT ASSEMBLY**

MECHANICAL PROPERTIES

Grade	Size inches	Tensile, ksi	Yield, ksi min	Yield, MPa min	Elong. % min	RA % min
36	1/2 - 4	58 - 80	36	248	23	40
55	1/2 - 2	75 - 95	55	380	21	30
	2 1/4 - 2 1/2	75 - 95	55	380	21	30
	2 3/4 - 3	75 - 95	55	380	21	30
	3 1/4 - 4	75 - 95	55	380	21	30
105	1/2 - 3	125 - 150	105	724	15	45

CHEMICAL COMPOSITION

Element	Grade 36	Grade 55 & 105
C (max)	0.26%	-
Mn	0.60 - 0.90	-
P, max	0.04%	0.040%
S, max	0.05%	0.050%
Cu, min *	0.20%	0.20%

* Only when Specified

These Anchor bolts are supplied with Nuts as per A563 grade DH or 10S (For Metric series Product) or A194 grade 2H and washers as per ASTM F436 or F436M .

STRUCTURAL STEEL WORKS

COLUMN SUPPORT STRUCTURES



BASE FRAMES STRUCTURES



MOUNTING SUPPORTS



PIPE WELDED WITH FLANGE SUPPORTS



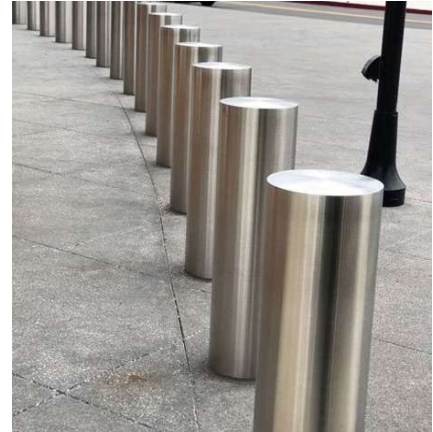
STRUCTURAL STEEL WORKS



SAFETY BARRICADE / GUARDS



BOLLARDS



HAND RAILINGS





Boulevard International Boulevard Steel Industry

Complete Engineering Solutions...

- 📍 Jurf Industrial Area 2 & FZE, PO Box. 14867, AJMAN - UAE.
- 📞 Mobile: +971 5510 99364 📞 Telephone: +971 6 520 6881
- ✉ E-mail: sales@boulevarduae.com
- 🌐 Website: www.boulevarduae.com